



## HF CD/DVD labels

In order to meet the libraries demand in handling the tagging process as efficiently as possible, Dialoc ID has developed the Library Tag Program.

The program includes a wide variety of EM & RFID tags including RFID (HF) CD/DVD labels for different applications. Tags with different sizes and finishes are available to protect the expanding media formats in libraries. Once protected by an EM and/or RFID library tag, media can circulate safely. The use of high quality tags ensures many years of reliable service.

Compact Discs (Blu-ray CD, DVD, CD, CD-ROM's) are protected by applying a CD protection label with integrated RFID chip directly to the disc and are available for circulating and non-circulating collections.

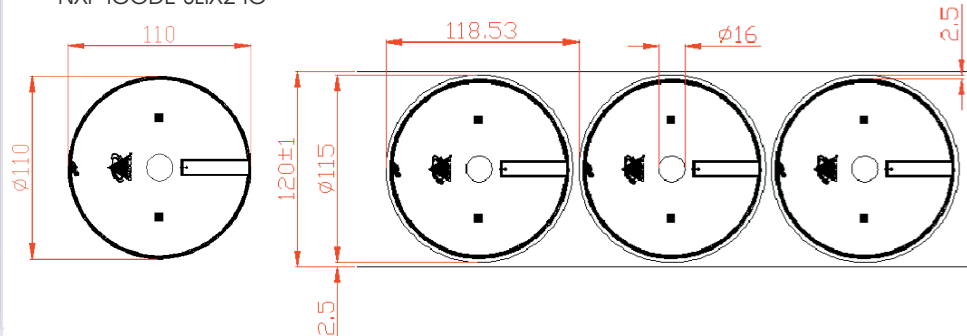


# HF CD/DVD label

## HF CD/DVD label Ø 110 mm

ISO 15693, ISO 18 000-3 Mode-1

NXP ICODE SLIX2 IC



### Mechanical dimensions:

Antenna size:	Ø 110 mm
Tolerance:	+0.5 mm
Die-cut size:	120 mm
Tolerance:	+/- 1 mm
Pitch, length:	118.53 mm
Die-cut to web edge:	2,5 mm
Antenna to Die-cut length:	2,5 mm +/- 0,5 mm

### Reel Details:

Web width (A):	120 +/- 1 mm
Inner core diameter (B):	76 mm
Core thickness (C):	6 - 8 mm

### Product structure:



### Electrical Specification:

Manufacturer / IC: NXP ICODE SLIX2  
 Substrate material: PET  
 Antenna Process Mode: Aluminum Etching  
 Protocol: ISO / IEC / 15693  
 Memory: 2.5 Kbit  
 Operating Frequency: 13.56 MHz  
 Working mode: passive  
 Data Retention: 100.000 cycles (50 years)

### Environmental requirement:

Operating temperature / Humidity: -40 ~ +85 C / 20% ~ 60% RH  
 Storage temperature / Humidity: -40 ~ +85 C / 20% ~ 60% RH  
 Product quality warranty: at 20 ~ 30 C / 20% ~ 60% RH  
 1 year in closed antistatic bags

